

## Sunbender Reflector/Shades Specifications and Prices (2011)

**Option 1: Sunbender® Reflector/Shade Complete** **SB** (Includes Reflector Pan) **Option 2: Sunbender® Reflector/Shade Frame Kit** **SBFK** (Reflector Supplied by Customer)

### Sunbender® Reflector/Shade Complete

Model #	SB-2x4	SB-3x4	SB-4x4	SB-2x6	SB-3x6	SB-4x6	SB-2x8	SB-3x8	SB-4x8
Skylight (NS), up to:	24"	36"	48"	24"	36"	48"	24"	36"	48"
Skylight (EW), up to:	48"	48"	48"	72"	72"	72"	96"	96"	96"
Sunbender Reflector Pan Dimensions (assembled) (.063 aluminum)	40" x 72"	52" x 84"	60" x 96"	40" x 96"	52" x 108"	60" x 120"	40" x 120"	52" x 132"	60" x 144"
Number of aluminum panels for Sunbender complete	2	2	3	2	2	3	2	2	3
Rib length (nominal, 1" x 2" .083 rectangular galvanized steel tubing)	48"	62"	74"	48"	62"	74"	48"	62"	74"
Strut length ( 1 5/8" x 1 5/8" 12 gauge Unistrut )	60"	72"	72"	60"	72"	72"	60"	72"	72"
Brackets for mounting to curb (painted mild steel)									
Hardware (stainless steel)									
<b>Retail Price Sunbender complete, steel strut</b>	<b>\$398</b>	<b>\$472</b>	<b>\$529</b>	<b>\$487</b>	<b>\$619</b>	<b>\$625</b>	<b>\$532</b>	<b>\$674</b>	<b>\$749</b>

### Sunbender® Reflector/Shade Frame kit\* (ribs, struts, brackets, hardware)

Model #	SBFK-2x4	SBFK-3x4	SBFK-4x4	SBFK-2x6	SBFK-3x6	SBFK-4x6	SBFK-2x8	SBFK-3x8	SBFK-4x8
Skylight length (NS), up to:	24"	36"	48"	24"	36"	48"	24"	36"	48"
Skylight width (EW), up to:	48"	48"	48"	72"	72"	72"	96"	96"	96"
Frame kit Reflector Pan Dimensions (assembled) (minimum 26 gauge)	39" x 72"	50" x 84"	62" x 96"	39" x 96"	50" x 108"	62" x 120"	39" x 120"	50" x 132"	62" x 144"
Number of ribbed roofing panels (panel width 39")	1	2	2	1	2	2	1	2	2
Rib length (nominal, 1" x 2" .083 rectangular galvanized steel tubing)	48"	62"	74"	48"	62"	74"	48"	62"	74"
Strut length ( 1 5/8" x 1 5/8" 12 gauge Unistrut )	60"	72"	72"	60"	72"	72"	60"	72"	72"
Brackets for mounting to curb (painted mild steel)									
Hardware (stainless steel)									
<b>Retail Price Sunbender Frame kit, steel strut</b>	<b>\$233</b>	<b>\$265</b>	<b>\$265</b>	<b>\$233</b>	<b>\$265</b>	<b>\$265</b>	<b>\$233</b>	<b>\$265</b>	<b>\$265</b>

#### \*Specifications for SBFK customer-supplied reflector pan:

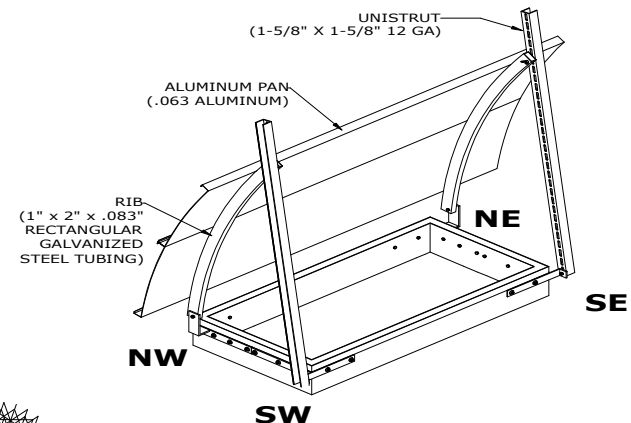
Use 1/4"-14 x 7/8" TEKS Self-drilling screws with bonded washer,  
12 screws per roofing panel. Use minimum 26 gauge steel roofing panel.  
(See installation instructions for complete details)

#### SKYLIGHT REQUIREMENTS:

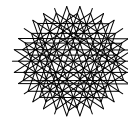
Before proceeding with installation of the Sunbender, read the following information carefully and inspect the skylight and curb to make sure they fill the following requirements:

- Skylight is curb-mounted, not deck-mounted
- Skylight curb is securely anchored to a structural roof member, such as a joist
- Skylight curb is constructed of a material capable of securing bracket fasteners

- Above prices do not include taxes, crating or shipping charges, if applicable.
- Please contact Zomeworks to place order.



PRICES SUBJECT TO CHANGE WITHOUT NOTICE



Zomeworks Corporation

PO Box 25805 Albuquerque, NM 87125 / 1011 Sawmill Rd. NW Albuquerque, NM 87104

Website: [www.zomeworks.com](http://www.zomeworks.com) / Email: [zomework@zomeworks.com](mailto:zomework@zomeworks.com)

(805) 279-6342 / (505) 242-5354 ph (505) 243-5187 fax