



ZOMEWORKS CORPORATION TRACK RACK™ PRICES AND SPECIFICATIONS

PANEL TYPE	SQ.FT/ PANEL	PANEL DIMENSIONS	UTRF-020	UTRK-040	UTRF-072	UTRF-090	UTRF-120	UTRF-168
Retail Price			\$900.00	\$1,668.00	\$2,550.00	\$2,800.00	\$3,300.00	\$4,182.00
<b>ADVENT SOLAR</b>								
ADVENT 160-180W	14.1	63.8" x 31.9"	1	2	3-4-5*	6*	7*-8*	9*-10-11*-12*
ADVENT 210 / 215 / 220 / 225 / 230 / 235 / 240	17.9	66.1" x 39"	1	2	3-4	5*	6*	8 - 9*
<b>AMERISOLAR</b>								
AS-6P30 (200W-250W)	17.8	65.0" x 39.4"	1	2	3-4	5*	6*	7*-8-9*
<b>ARCO</b>								
M-75	4.3	48.0" x 13.0"	1-2-3-4	5†-6†-7†-8†	9*-10-11*-12-13*-14-15*-16	17*-18-19*-20	21*-22-23*-24-25*-26-27*	28-29*-30*-31*-32*-33*-34*-35*-36*-37*-38*
<b>ASTRONERGY</b>								
CHSM 5409M (85-95)	7.2	47.2" x 21.8"	1-2	3-4-5	6-7*-8-9*-10	11*-12	13*-14-15*-16	17*-18*-19*-20*-21*-22*-23*
CHSM 5612M (175-195)	13.7	62.2" x 31.8"	1°	2°-3°	4-5*	6	7*-8-9*	10-11*-12*
CHSM 6610P 215-250	17.7	65.0" x 39.1"	1°	1-2°	3-4	5*	6*	7*-8-9*
CHSM 6612P 280-310	20.9	77.0" x 39.1"	N/A	1	2-3	4	5*-6*	7*-8*
<b>BENQ SOLAR</b>								
PM250M01 265W	17.3	64.5" x 38.7"	1	2	3-4	5*	6*	8-9*
<b>BOSCH</b>								
C-Si M60-16 (225W-240W)	17.7	64.6" x 39.4"	1	2°	2-3-4	5*	6*	7*-8-9*
C-Si M60 NA30119 (245W)	17.6	65.0" x 39.0"	1°	1-2°	2-3-4	5*	6*	7*-8-9*
<b>BP SOLAR</b>								
BP-160F/270F/275F/280F/580F/585F	6.8	46.8" x 20.9"	1-2	3-4-5	6-7*-8-9*-10	11*-12-13*	14-15*-16*-17*	18*-19*-20*-21*-22*-23*-24*
BP-270L/275L/580L/585L	6.7	46.6" x 20.7"	1-2	3-4-5	6-7*-8-9*-10	11*-12-13*	14-15*-16*-17*	18*-19*-20*-21*-22*-23*-24*
BP-350	4.9	33.0" x 21.2"	1-2	3-4-5	6-7*-8-9*-10-11*-12*-13*-14*	15*-16*-17*-18*	19*-20*-21*-22*-23*-24*	26**-28**-30**-32**
BP-365/365U	6	43.7" x 19.8"	1-2-3	4-5	6-7*-8-9*-10-11*-12*	12-13*-14-15*	16-17*-18-19*-20*	21*-22*-23*-24*-25*-26*-27*
BP-380/385/485/485J/490J	7	47.4" x 21.1"	1-2	3-4-5	6-7*-8-9*-10	11*-12-13*	14-15*-16-17*	18*-19*-20*-21*-22*-23*-24*
BP-170B/175B/4175B/4180B SX-3165B/3175B	13.5	62.7" x 31.1"	1	2-3	4-5*	6-7*	8	9*-10-11*-12
BP-170I/175I/4175I/4180 SX170I	14.1	62.5" x 32.6"	1	2-3	4-5*	6-7*	8	9*-10-11*-12
BP-SX 3190/3195/3200/3195B/3200B/	15.1	66.1" x 32.9"	N/A	1-2	3-4	5*-6*	7*-8*	9*-10-11*-12*
BP-3115/3125 / SX-3130/3140	10.9	59.5" x 26.5"	1-2	3	4-5*-6*	6-7*-8	9*-10	11*-12-13*-14-15*
BP-580U/585U/SX-75TU	6.9	47.4" x 21.1"	1-2	3-4-5	6-7*-8-9*-10	11*-12-13*	14-15*-16*-17*	18*-19*-20*-21*-22*-23*-24*
BP-SX-75/80/85	7.9	57.3" x 19.8"	1-2	3-4-5	6*-7*-8*-9*	8-10	12-14	N/A
BP-115	11	59.5" x 26.5"	1-2	3	4-5*-6*	6-7*-8	9*-10	11*-12-13*-14-15*
BP 3215B	17.9	65.6" x 39.4"	1	2	3-4	5*	6*	7*-8-9*
BP-SX-150S/BP3160	13.5	62.5" x 31.1"	1	2-3	4-5*	5-6	7*-8-9*	10-11*-12
BP-3280T	21.7	79.2" x 39.4"	N/A	1	2-3	4	5*	6*-7*
<b>BYD SOLAR</b>								
220-250 P6-30	17.5	64.6" x 39.1"	1	2	3-4	5*	6*	7*-8-9*
<b>CANADIAN SOLAR</b>								
CS5A (130-190W)	13.7	62.8" x 31.5"	1	2-3	4-5*	6*	7*-8*	9*-10-11*-12
CS5P (200-240W)	18.3	63.1" x 41.8"	1	2	3-4	5*	6*	7*-8-9*
CS6C (100-130W)	10.6	58.5" x 26.2"	1-2	3	4-5*-6*	6-7*-8	9*-10	12-13*-14-15*
CS6A (120-190W)	14	52.1" x 38.7	1	2-3	4	5*-6	7*-8	9*-10*-11*-12*
CS6P (200-260W)	17.3	64.5" x 38.7"	1	2°	3	4	5*	7*-8-9*
CS6X (280-300)M/P	20.7	76.9" x 38.7"	N/A	1-2°	2-3	4	5*-6*	7*-8*
<b>CONERGY</b>								
E-205P to E-225P / PH230-250P / 225PA	17.6	65.0" x 39.1"	1	2	3-4	5*	6*	7*-8-9*
SC-170-180 M/MA / C-175M / S-175MU / C-167P	14	62" x 32.5"	1	2-3	4-5*	6	7*-8-9*	10-11*-12*
P 185M	13.7	62.2" x 31.8"	1°	2°-3°	3-4-5*	6	7*-8	9*-10-11*-12
C-180M	14.1	51.9" x 39.1"	1	2	3-4	5*-6	8	10*
<b>CROWN</b>								
CR170	13.5	62.1" x 31.4"	1	2	3-4-5*	6	7*-8-9*	10-11*-12
<b>DAY 4</b>								
DAY 4 48MC-160/165/170/175/180/185/190	13.9	51.5" x 39"	1	2	3-4	5*-6	7*-8	9*-10*-11*-12*
DAY 4 36MC-115/120/125/130/135/140/145	10.7	57.7" x 26.6"	1-2	3-4	5*-6*	8	9*-10	12-14

PANEL TYPE	SQ.FT/ PANEL	PANEL DIMENSIONS	UTR-020	UTRK-040	UTRF-072	UTRF-090	UTRF-120	UTRF-168
Retail Price			\$900.00	\$1,668.00	\$2,550.00	\$2,800.00	\$3,300.00	\$4,182.00
<b>ECOSOLARGY</b>								
SDM 170-185 -72M ALPHA SERIES	13.7	62.2" x 31.8"	1	2-3	4-5*	6	7*-8	9*-10-11*-12*
TWES 200-235 60P NEPTUNE SERIES	17.7	65.1" x 39.2"	1	2	3-4	5*	6*	7*-8-9*
ECO 230-260 156P-60 ORION SERIES	17.5	64.4" x 39.1"	1*	1-2*	2-3-4	5*	6*	7*-8-9*
ECO 270-300 S156P-72 TITAN SERIES	20.9	76.9" x 39.1"	N/A	1-2	3	4	5*-6*	7*-8*
<b>EOPLLY</b>								
EP125M72 185-200W	13.7	62.2" x 31.8"	1	2-3	4-5*	6	7*-8	9*-10-11*-12*
<b>ET SOLAR GROUP</b>								
ET-P654XXX 180-215W	15.8	58.3" x 39.1"	1	2	3-4	5*	6	8-9*-10*
ET-P672XXX 270-305W	20.9	77.0" x 39.1"	N/A	1	2-3	4	5*-6*	7*-8*
ET-P660XXX 240-260W	17.5	64.6" x 39.1"	1	2	3-4	5*	6*	7*-8-9*
<b>EVERGREEN</b>								
ES-A 200-210W	16.9	65.0" x 37.5"	1	2	3-4	5*	6*	7*-8-9*-10
ES- 170 / 180 / 190 /195	16.1	61.8" x 37.5"	1	2	3-4	5*	6	7*-8-9*-10
EC-102/GD / 110/GD / 115/GD	11.1	62.4" x 25.7"	1	2-3	4-5*-6*	6-8	10	12-14
<b>GENERAL ELECTRIC</b>								
GEPV-065 / 070 / 072 / 085-M	6.8	47.3" x 20.8"	1-2	3-4-5	6-7*-8-9*	10-11*-12-13*	14-15*-16-17*	18-19*-20*-21*-22*-23*-24*-25*
GEPV-100-M / 110-M	10.3	58.1" x 25.6"	2	3-4	5-6*	8	9*-10	12-14
GEPV-130-M / GEPVp-130	10.6	58.5" x 26.2"	1-2	3-4	5-6*	6-7*-8	9*-10-11*	12-13*-14-15*
GEPVp-200-MS	15.7	58.5" x 38.6"	1	2†	3-4	5*	6-7*	8-9*-10*
GEPVc-170-MS	13.6	62.5" x 31.3"	1	2†-3†	4-5*	6	8	9*-10-12
<b>GLOBAL SOLAR</b>								
GSE-60	8.1	46.5" x 25"	1-2	3-4	5*-6-7*-8	10-11*	12-13*-14-15*	16*-17*-18*-19*-20*-21*
GSE-120	15.8	49.5" x 46.0"	1	2	4	N/A	6	7*-8-9*-10*
<b>GRUNDFOS</b>								
GF-43	9.3	48.0" x 28.0"	1-2	3-4	5*-6-7*	8-9*	10-12	14*-15*-16*-18*
GF-50	9.3	48.4" x 27.8"	1-2	3-4	5*-6-7*	8-9*	10-12	14*-15*-16*-18*
GTF-55	7.9	47.5" x 23.9"	1-2	3-4	5*-6-7*-8	9*-10-11*	12-13*-14-15*	16*-17*-18*-19*-20*-21*
GF-65C / GF 80	7.0	47.4" x 21.1"	1-2	3-4-5	6-7*-8-9*-10	11*-12-13*	14-15*-16-17*	18*-19*-20*-21*-22*-23*-24*
GF-101/110	11.4	61.2" x 26.8"	1	2-3	4-5*-6*	6-7*-8	9*-10	11*-12-13*-14
GF-100TF	15.7	51.6" x 43.7"	1	2	3-4	5*	6-7*	8-9*-10*
<b>HANWHA SOLAR</b>								
HSL60 K SERIES POLY 235-245	17.9	65.6" x 39.3"	1	2*	2-3-4	5*	6*	7*-8-9*
HSL60 T SERIES POLY 230-255	17.8	65.0" x 39.4"	1	2	3-4	5*	6*	7*-8-9*
HSL72 K SERIES POLY 280-295	21.3	78.2" x 39.3"	N/A	1	2-3	4	5*	6*-7*-8*
HSL72 T SERIES POLY 280-305	21.2	77.4" x 39.4"	N/A	1	2-3	4	5*	6*-7*-8*
<b>HELIOS</b>								
6T SERIES, 240-255	17.9	66.1" x 39.0"	1	2	3-4	5*	6*	7*-8-9*
7T2 SERIES, 280-305	21.0	78.1" x 38.7"	N/A	1	2-3	4	5*-6*	7*-8*
<b>HYUNDAI</b>								
HIS-S 188-212 SF / HIS-M 182-206 SF	15.6	58.1" x 38.7"	1	2	3-4	5*-6*	7*	8-9*-10*
HIS-M230-250 MG / MIS-S240-255 MG	17.4	64.8" x 38.7"	1	2	3-4	5*	6*	7*-8-9*
<b>ISOFOTON</b>								
IS-75 /12	7.2	48.2" x 21.5"	1-2	3-4-5	6-7*-8-9*-10	11*-12-13*	14-15*-16-17*	18*-19*-20*-21*-22*-23*-24*
IS-150 /12-24	13.5	62.6" x 31.1"	1	2-3	4-5*	6-7*	8-9*	10-11*-12
IS-150S /12-24	13.8	48.2" x 41.2"	1	2	3-4	5*-6	7*-8	9*-10*-11*-12*
I-94/12 or 24	8.5	47.6" x 25.8"	1-2	3-4	5*-6-7*-8	9*-10	11*-12-13*-14	15*-16*-17*-18*-19*-20*
IS-200/ 32	17.9	62.6" x 41.2"	1	2	3-4	5*	6*	7*-8-9*
<b>KANEKA</b>								
K60 / GSA-60	10.2	39.0" x 37.5"	1	2-3	4-6	7*-8-9*	10-11*-12*	13*-14*-15*-16**

PANEL TYPE	SQ.FT/ PANEL	PANEL DIMENSIONS	UTR-020	UTRK-040	UTRF-072	UTRF-090	UTRF-120	UTRF-168
Retail Price			\$900.00	\$1,668.00	\$2,550.00	\$2,800.00	\$3,300.00	\$4,182.00
<b>KYOCERA</b>								
KC-65	5.3	29.6" x 25.7"	1-2	3†-4†	5*-6-7*-8-9*-10*-11*-12*	13*-14*-15*	16*-17*-18*-19*-20*-21*-22**	24**-26**,-28**
KC-80	6.8	38.4" x 25.6"	1-2	3-4	5-6-7*-8-9*-10*	10-11*-12-13*	14-15*-16*-17*-18*-19*	20*-21*-22**,-24**
KC-85	7.1	39.6" x 25.6"	1-2	3-4	5-6-7*-8-9*-10*	10-11*-12-13*	14-15*-16*-17*	18*-19*-20*-21*-22**,-24**
KC-120-1/125G/125GT/125TM/ 30GT/130TM	10	56.0" x 25.7"	1-2	3-4	5*-6*-7*	6-7*-8-9*	10-11*-12	13*-14-15*-16*-17*
KC-158G / 167G / 170GT / 175GT	13.8	50.8" x 39.0"	1	2	3-4	5*-6	7*-8	9*-10*-11*-12*
KC-187G / 190GT / 200GT	15.2	56.2" x 39.0"	1	2	3-4	5*-6	7*-8	9*-10*-11*
KD-180GX-LP / KD-185GX-LPU	14.3	52.8" x 39.0"	1	2	3-4	5*-6	7*-8	9*-10*-11*
KD 130-140 GX/SX - LP/UPU/LFBS/UFBS	10.8	59.1" x 26.3"	1-2	3	4-5*-6*	6-7*-8	9*-10-11*	12-13*-14-15*
KD- 205-220 GX- LP/LPU/LFBS	16.0	59.1" x 39.0"	1	2	3-4	5*	6-7*	8-9*-10*
KD(230-255)GX-LPB	17.7	65.4" x 39.0"	1*	1-2*	2-3-4	5*	6*	7*-8-9*
KD315GX-LPB / KD320GX-LPB	23.6	65.4" x 52.0"	N/A	1*	1-2	3	4	5*-6-7*
<b>LG SOLAR</b>								
LG 250-265 S1C-G3 / LG280-300N1C	17.7	64.6" x 39.4"	1	2	3-4	5*	6*	7*-8-9*
<b>LIGHT WAY</b>								
LW 220-240 (29)	17.6	65.0" x 39.0"	1	2	3-4	5*	6*	7*-8-9*
<b>LORENTZ</b>								
LA90-12SP	5.9	40.8" x 20.8"	1-2	3†-4†-5†	6-7*-8-9*-10-11*-12*	12-13*-14-15*	16-17*-18*-19*-20*-21*	22*-23*-24*-25*-26*-27*
LA110-24S	9.3	42.6" x 31.3"	1-2	3†	4-5*-6-7*	8-9*	10-11*-12*-13*	14*-15*-16*-17*-18*
LA160-24S	11.2	61.3" x 26.3"	1	2-3	4-5*6*	6-7*-8	9*-10	11*-12-13*-14-15*
LB175-24M	13.5	62.1" x 31.4"	1	2-3	4-5*	6	7*-8-9*	10-11*-12
LC75-12M	7.2	47.6" x 21.7"	1-2	3-4-5	6-7*-8-9*-10	11*-12-13*	14-15*-16-17*	18*-19*-20*-21*-22*-23*
LC120-12P, LC130-12P	10.7	58.4" x 26.3"	1-2	3†-4†	5*-6*	6-7*-8-9*	10-11*-12	13*-14-15*
LC175-24M	13.7	62.2" x 31.8"	1	2-3	4-5*	6	7*-8-9*	10-11*-12
<b>MAGE SOLAR</b>								
170-180/5ME, 175-185/5MJ	13.7	62.2" x 31.8"	1	2-3	4-5*	6	7*-8-9*	10-11*-12
220/6PJ, 225/6PJ, 230/6PJ	17.7	65.2" x 39.1"	1	2	3-4	5*	6*	7*-8-9*
<b>MATRIX SOLAR / PHOTOWATT</b>								
PW6-110 / 123	10.2	56.7" x 25.9"	1-2	3-4	5*-6*-7*	6-7*-8-9*	10-11*-12	13*-14-15*-16*
PW-1000	9.7	52.6" x 26.5"	1-2	3-4	5*-6*-7*	8	10-12	14-15*-16*
PW-1250/115-125-135	11.0	48.7" x 32.4"	1	2-3	4-5*-6	7*-8	9*-10	11*-12*-13*-14*-15*
PW-1650 & 1750/155-165-175	14.4	48.7" x 42.6"	1	2	3-4	5*-6	7*-8	9*-10*-11*
PWX-850	7.6	50.0" x 21.9"	1-2	3-4-5	6-7*-8-9*	10-12	14-16	18*-19*-20*-21*-22*
PW6-110Wp	10	56.1" x 25.8"	2	3-4	5*-6*-7*	8	10-12	14-16*
PW 500	5.2	41.1" x 18.3	1-2-3	4-5-6	7*-8-9*-10-11*-12*	12-13*-14-15*-16*-17*	20	30*
<b>mitsubishi</b>								
PV-MF 110EC3/4 / 120EC3/4	9.9	56.1" x 25.4"	1-2	3-4	5*-6*-7*	6-8-9*	10-11*-12	13*-14-15*-16*-17*
PV-MF 120EA2ST / 125A2LF / 125EA2LF / 130EA2LF	10.8	49.1" x 31.6"	1	2-3	4-5*-6	7*-8	9*-10-11*	12-13*-14*-15*
PV-MF 155 / 160 / 165 / 170 EB (3 or 4)	13.6	62.2" x 31.5"	1	2-3	4-5*	6-7*	8	9*-10-11*-12
PV-MF 115 / 120 / 125 / 130 TE4N, PV-TE 115 / 120 / 125 / 130 MF5N, PV-UE 115 / 125 / 130 F5N	10.8	58.9" x 26.5"	1	2-3	4-5*-6*	7*-8	9*-10-11*	12-13*-14-15*
PV-MF 185 / 180 / 175 / 170 TD4, PV-TD 190 / 185 / 180 / 175 MF5, PV-JD 175MF5, PV-MF 180 UD4	14.9	65.3" x 32.8"	1	2	3-4-5*	6*	7*-8*	9*-10-11*
<b>MX SOLAR</b>								
MX60 220-245	18.0	65.6" x 39.6"	1	2	3-4	5*	6*	7*-8-9*
<b>NINGBO SOLAR</b>								
TPB 125x125-72-P 170-180W	13.7	62.2" x 31.8"	1*	1†-2†,3†	4-5*	6	7*-8-9*	10-11*-12
TPB 125x125-96-P 220-240W	18.3	62.8" x 41.9"	1*	1-2†	3-4	5*	6	7*-8-9*
<b>PERLIGHT SOLAR</b>								
PLM-(235-250)M-60 / PLM-(225-240)P-60	17.6	65.0" x 39.1"	1	2	3-4	5*	6*	7*-8-9*
PLM-(265-280)M-72	21.0	77.4" x 39.1"	1	2	3	4	5*-6*	7*-8*
<b>PHONO SOLAR</b>								
PS210-240P-20U	17.5	64.6" x 39.1"	1	2	3-4	5*	6*	7*-8-9*
<b>REC SOLAR</b>								
REC 210-260PE / REC 210-235 AE	17.8	65.6" x 39.0"	1	2	3-4	5*	6*	7*-8-9*
<b>RENESOLA</b>								
JC 250-260 M-24/Bb	17.5	64.6" x 39.1"	1	2	3-4	5*	6*	7*-8-9*
JC 290-310 M-24/Ab	20.9	77.0" x 39.1"	N/A	1-2*	2-3	4	5*-6*	7*-8*

PANEL TYPE	SQ.FT/ PANEL	PANEL DIMENSIONS	UTR-020	UTRK-040	UTRF-072	UTRF-090	UTRF-120	UTRF-168
Retail Price			\$900.00	\$1,668.00	\$2,550.00	\$2,800.00	\$3,300.00	\$4,182.00
<b>SANYO (Clips not provided by Zomeworks)</b>								
HIP-63S1	5	36.9" x 19.5"	1-2-3	4-5-6	7*-8-9*-10-11*-12*-13*	14-16	N/A	N/A
HIP- 167 / 180 / 186 / 190 / 195 / 200 / 205BA3 / HIP- J54BA2 / J54B /H552BA1 / H552BA2	12.7	51.9" x 35.2"	1	2-3	4-5*	6-7*	8-9*	10-11*-12*-13*
HIP-205 / 210 / 215 NHE1	13.5	61.8" x 31.3"	1	2-3	4-5*	6-7*	8-9*	10-11*-12
HIT POWER 180-205W BA19	12.5	51.9" x 34.6"	1	21-31	4-5*-6*	6-7*	8-9*	10-11*-12*-13*
HIT DOUBLE 180-200W	13.1	53.2" x 35.4"	1	2-3	4-5*	6-7*	8-9*	10-11*-12*
HIT POWER 210N/215-N/220A/225A/235S/240S	13.6	62.2" x 31.4"	1	2-3	4-5*	6-7*	8-9*	10-11*-12
<b>SCHOTT SOLAR</b>								
SAPC- 165 / 170 / 175 / 123	14.0	62.0" x 32.5"	1	2	3-4-5*	6	7*-8	9*-10-11*12*
ASE 250-330W	26.1	74.5" x 50.5"	N/A	1	2	3	4	5*-6*
ASE-260-DG-FT	23.0	63.2" x 52.6"	N/A	1	2	N/A	4	6
POLY 165-180	14.1	63.8" x 31.9	1	2-3	4-5*	6*	7*-8*	9*-10-11*
POLY 200-255	18.0	66.3" x 39.1"	1	2	3-4	5*	6*	7*-8-9*
POLY 280-300	23.8	66.3" x 51.7"	N/A	1	2	3	4	5*-6-7*
<b>SCHÜCO</b>								
S-165-SPU / 170-SPU	13.6	62.2" x 31.5"	1	2-3	4-5*	6	8	10-11*-12
S-165-180 SPU-4	14.9	65.3" x 32.8"	1	2	3-4-5*	6*	7*-8*	9*-10-11*
MPE 200-230 PS 04	17.3	64.5" x 38.7"	1°	1-2°	3-4	5*	6*	7*-8-9*
MPE 200-230 PS 09	17.6	65.0" x 39.1"	1°	1-2°	3-4	5*	6*	7*-8-9*
MPE 230-260 PS 08	18.0	65.7" x 39.4"	1	2	3-4	5*	6*	7*-8-9*
<b>SHARP</b>								
NE-80EJE (80 watt) / NE-80EJEA / NE-80E1U	6.9	47.3" x 21.1"	1-2	3-4-5	6-7*-8-9*-10	11*-12-13*	14-15*-16-17*	18-19*-20*-21*-22*-23*-24*
ND-130UJF / 123UJF / L3EJEA / ND-L3E1U	10.7	59.0" x 26.1"	1-2	3	4-5*-6*	7*-8-9*	10-11*	12-13*-14-15*
ND-QOE2U (160 watt) / ND-167U1F (167 watt)	14.1	51.9" x 39.1"	1	2	3-4	5*-6	7*-8	9*-10*-11*-12*
NE-Q5E2U(165 watt) / NT-170U1 (170 watt) / NT-175U1 / NT-180U1 (180 watt) / NT-185U1 (185 watt) / NE-170U1 / NE-170U1-VE / NE-175U1-VE	14.0	62.0" X 32.5"	1	2	3-4-5*	6	7*-8	9*-10-11*-12*
ND-187U1 / ND-187U1F / ND-198U1F	15.9	58.7" x 39.1"	1	2	3-4	5*	6-7*	8-9*-10*
ND-167U1 (167 watt)	14.3	52.3" x 39.5"	1	2	3-4	5*-6	7*-8	9*-10*-11*
ND-200U1F / ND208U1 / ND-208U1F / ND208U2 ND-205U1 / ND216U2 / ND216U1F / ND-224-U1F ND-V230A1 / NU-U235F1 / NU-U240F1 / ND-240QCJ / ND-250QCS	17.5	64.6" x 39.1"	1	2	3-4	5*	6*	7*-8-9*
ND-176U1Y	14.2	52.3" x 39.1"	1	2	3-4	5*-6	7*-8	9*-10*-11*
<b>SHELL</b>								
SQ-85P (Siemens SP75 and PC4JF)	6.8	47.3" x 20.8"	1-2	3-4-5	6-7*-8-9*-10	11*-12-13*	14-15*-16-17*	18-19*-20*-21*-22*-23*-24*-25*
Siemens SR100	9.6	59.0" x 23.4"	1-2	3-4	5*-6*-7*	8-9*	10-12	11*-13*-14-15*-16-17
SM110-24P	9.3	51.8" x 26"	1-2	3†-4†	5*-6*-7*-8	9*	10-11*-12-13*	14-15*-16*-17*-18*
SP140-PC / 165-PC	14.2	63.9" x 32.1"	1	2†-3†	4-5*	6*	7*-8*	9*-10-11*
<b>SILIKEN</b>								
SLK 60P6L (215-245W)	17.5	64.6" x 39.0"	1	2	3-4	5*	6*	7*-8-9*
SLK 72M6L (285-310W)	20.9	77.2" x 39.0"	N/A	1	2-3	4	5*-6*	7*-8*
<b>SOLARLAND</b>								
SLP080-12	7.2	39.1" x 26.6"	1-2	3-4	5*-6-7*-8-9*-10*	11*-12	13*-14*-15*-16*-17*	18*-19*-20*-21*-22**
SLP 160S-210S -24	13.7	62.2" x 31.8"	1	2-3	4-5*	6	7*-8	9*-10-11*-12*
SLP 220-18H	17.5	64.4" x 39.1"	1	2	3-4	5*	6*	7*-8-9*
<b>SOLARTECH</b>								
SPM 080-090P	7.3	39.9" x 26.3"	1-2	3*-4*	5*-6-7*-8-9*-10*	10-11*-12*	12-13*-14*-15*-16*-17*	18*-19*-20*-21*
SPM110P-FSW	8.7	48.2" x 26.1"	1-2	3†-4†	5*-6-7*-8	9*-10	11*-12-13*-14*	14-15*-16*-17*-18*-19*
SPM 125-135P	10.8	58.3" x 26.6"	1-2	3-4	5*-6*	7*-8	9*-10-11*	12-13*-14-15*
SPM 200P-230P	17.6	64.6" x 39.1"	1°	1-2°	2-3-4	5*	6*	7*-8-9*
<b>SOLARWORLD</b>								
SW-75 / 80 / 85	6.8	47.2" x 20.8"	1-2	3†-4†-5†	6-7*-8-9*-10	11*-12-13*	14-15*-16-17*	18-19*-20*-21*-22*-23*-24*-25*
SW130 / 140 / 150	12.3	65.9" x 26.9"	1	2-3	4-5*-6*	7*	8*-9*	10-11*-12
SW 155 / 165 / 175 / 185 (MONO & POLY)	14.0	63.4" x 31.9"	1°	1-2°	2-3-4-5*	6*	7*-8*	9*-10-11*-12
SW 200-280 (2.5 FRAME)	18.0	65.9" x 39.4"	1°	1-2°	2-3-4	5*	6*	7*-8-9*
SW 200-270 (2.0 FRAME) - REQUIRES TOP DOWN MOUNTING CLAMPS THAT ZOMEWORKS DOES NOT PROVIDE	18.0	65.9" x 39.4"	1°	1-2°	2-3-4	5*	6*	7*-8-9*
SW 305-315 XL MONO	21.2	78.2" x 39.0"	N/A	1	2-3	4	5*	6*-7*-8*
<b>SOLON</b>								
230 / 1 BLACK, 220 / 1 BLUE	17.7	64.6" x 39.4"	1	2	3-4	5*	6*	7*-8-9*

PANEL TYPE	SQ.FT/ PANEL	PANEL DIMENSIONS	UTR-020	UTRK-040	UTRF-072	UTRF-090	UTRF-120	UTRF-168
<b>Retail Price</b>			<b>\$900.00</b>	<b>\$1,668.00</b>	<b>\$2,550.00</b>	<b>\$2,800.00</b>	<b>\$3,300.00</b>	<b>\$4,182.00</b>
<b>SUNPOWER</b>								
SPR 90	5.9	40.9" x 20.8"	1-2-3	4-5	6-7*-8-9*-10-11*-12*	12-13*-14-15*	16-17*-18*-19*-20*-21*	22*-23*-24*-25*-26*-27*
SPR 205-240W	13.4	61.4" x 31.4"	1	2-3	4-5*	6-7*	8-9*	10-11*-12
SPR 305-320W / X21- 335-345 / SPR-327NE-WHT-D	17.6	61.4" x 41.2"	1	2	3-4	5*	6	7*-8-9*
SPR-435NE-WHT-D	23.3	81.4" x 41.2"	N/A	1	2-3	4	5*	6*
<b>SUNTECH</b>								
STP 085S / 080 / 075 / 070-12/Bb	7.0	47.0" x 21.3"	1-2	3-4-5	6-7*-8-9*-10	11*-12-13*	14-15*-16-17*	18*-19*-20*-21*-22*-23*-24*
STP 160-185 W	13.7	62.2" x 31.8"	1	2-3	4-5*	6	7*-8	9*-10-12
STP 190-210 W	15.8	58.3" x 39.1"	1	2†	3-4	5*	6-7*	8-9*-10*
STP 225-20/Wd	17.8	65.6" x 39.0"	1	2	3-4	5*	6*	7*-8-9*
STP 260-285 W	20.9	77.0" x 39.1"	1°	2°	3	4	5*-6*	7*-8*
<b>SUNWIZE</b>								
SW 50/ 50C / 55 / 60	5.4	39.4" x 19.7"	1-2-3	4-5	6-7*-8-9*-10-11*	12-13*-14-15*-16-17*	18-19*-20*-21*-22*-23*	24*-25*-26*-27*
SW 50A / 55A / 60A	5.5	35.1" x 22.6"	1-2	3-4	5-6-7*-8-9*-10*	11*-12-13*-14*-15*-16*	17*-18*-19*-20*-21*	22*-23*-24*-26*-28**
SW-85/SW-90/SW-95/SW-90C	9.0	56.9" x 22.9"	1-2	3-4	5-6*	6-7*-8-9*	10-11*-12-13*	14-15*-16-17*-18*
SW-S85P	7.4	40.8" x 26.1"	1-2	3-4	5*-6-7*-8-9*-10*	11*-12	13*-14*-15*-16*	17*-18*-19*-20*-21*
SW 100-120W	8.9	58.9" x 21.7"	1-2	3-4	5-6*-7*-8*	9*-10	11*-12-13*-14	15*-16-17*-18*-19*
SW155-L/165-L	15.6	66.5" x 33.8"	1	2	3-4	5*-6*	N/A	7*-8-9*-10
SW 150-160W	14.0	66.6" x 30.3"	1	2-3	4-5*	6*	7*-8*	9*-10-11*-12
SW 170/175/180	13.7	62.2" x 31.8"	1	2-3	4-5*	6	7*-8-9*	10-11*-12*
SW-S140P	10.5	58.2" x 26.1"	1-2	3-4	5*-6*	7*-8	9*-10-11*	12-13*-14-15*-16*
<b>TOPOINT SOLAR</b>								
JTM 185-200 -72M	13.7	62.2" x 31.8"	1	2	3-4-5*	6	7*-8	9*-10-11*-12*
<b>TRINA SOLAR</b>								
TSM 175-185 DA01	13.8	62.2" x 31.9"	1	2-3	4-5*	6	7*-8	9*-10-11*-12
TSM-PA05 220-240W / TSM-PC05 235-250	17.6	65.0" x 39.1"	1	2	3-4	5*	6*	7*-8-9*
TSM-PC14 285-305 / TSM-PA14 284-305	20.9	77.0" x 39.1"	N/A	1	2-3	4	5*-6*	7*-8*
<b>UNI-SOLAR</b>								
US-32	5.6	53.8" x 15.1"	1-2-3	4-5-6-7	8*-9*-10*-11*	12*-13*-14*-15*-16	17*-18-19*-20-21*	22-23*-24-25*-26*-27*
US-42	7.4	36.6" x 29.2"	1-2*	3†	4-5*-6-7*-8-9*-10*	9*-10-11*-12*	13*-14*-15*-16*	17*-18*-20**-22**
US-64	10.9	53.8" x 29.2"	1	2-3	4-5*-6*	6-7*-8	9*-10-11*	12-13*-14*-15*
<b>UPSOLAR</b>								
UP-M260P-M280P	20.9	77.0" x 39.1"	1°	1-2°	2-3	4	5*-6*	7*-8*
<b>YINGLI</b>								
YL-75/80/85/90	6.8	46.1" x 21.3"	1-2	3*-4*-5°	6-7*-8-9*-10	11*-12-13*	14-15*-16-17*	18-19*-20*-21*-22*-23*-24*-25*
YL-110/120	10.8	57.9" x 26.8"	2	4	5*-6*	8	10	12-14
YL-150	13.7	62.2" x 31.8"	1	2	4-5*	6	8	10-12*
YL-160/165/170/175/180	14.3	52.6" x 39.0"	1	2	4-5*	6	8	10
YL 210P-255P (29b)	17.6	65.0" x 39.0"	1	2	3-4	4-5*	6*	7*-8-9*
YL 215-236 (156)	18.3	65.0" x 40.6"	1	2	3-4	4-5*	6*	7*-8-9*
YL 280-310 P-35b	21.0	77.6" x 39.0"	N/A	1-2	3	4	5*-6*	7*-8*
<b>WEBEL</b>								
W1600	15.6	66.5" x 33.8"	N/A	2	3-4	5*	6* - 7*	8 - 9* - 10

► **PURCHASE ORDERS** must be written and faxed or e-mailed with the **PV MODEL #** specified and the **QUANTITY** of PV panels to be mounted on each Track Rack model #.

### Track Rack Options:

See Our Website for More Track Rack Options

Extended 5 Year Limited Warranty on Shocks and Bearings:  
UTRF168 - \$150.00 ALL Other Trackers - \$100.00

\* Extra rail set required - \$335.00

\*\* Two extra rail sets required - \$669.00

° New holes will need to be drilled in the module frames

† UTRK-040S

International, overseas, or air shipments may require special packaging at an additional charge.

ZOMEWORKS CORPORATION  
Post Office Box 25805  
Albuquerque, New Mexico 87125  
Website: www.zomeworks.com Email: zomework@zomeworks.com  
[800] 279-6342 [505] 242-5354 phone [505] 243-5187 fax

# F-SERIES POLE INSTALLATION

**LOCATION CONSIDERATIONS:**

For installations in sandy or muddy areas, for tall mounting poles, or for any mounting different from the situations described in these instructions, you will need to consult a local structural engineer. Large Track Racks can receive significant wind loads, so a strong mounting pole and foundation is very important. The site should receive the maximum possible sunlight from AM to PM, in the Winter and Summer. Avoid shade from buildings and trees, including shade that may occur in other seasons. The height of the pole should result in adequate ground clearance for the mounted modules. Call for spacing and shadowing on multiple units.

**CAUTION** – Be careful working around the rack after installation on the pole, especially around the copper transfer tube.

Some of the structural members may be at head level. The customer provided pole is a 6” (nominal) schedule 40 steel pipe with a 6-5/8” OD (F-064, F-090 & F-120) or a 8” (nominal) schedule 40 steel pipe with a 8-5/8” OD (F-168 only). Pole can be black or galvanized steel pipe.

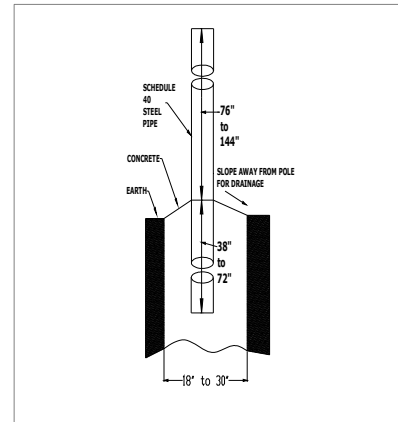
- **Note:** Heavier steel pipe (schedule 80 or schedule 160) can be used, as long as OD is 6-5/8” or 8-5/8”.
- Using the chart below find the **minimum** acceptable pole height above your finished grade calculated with maximum seasonal tilt angle and maximum rotation. Our largest tracker the UTRF-168 will be 12 feet above grade. When the rack is tilted to the maximum winter angle and rotated to the extreme east or west stop, ground clearance is approximately 34” above grade. It is strongly recommended that the pole height meet our minimum specifications. The UTRF-168 may be mounted as little as 120" above grade level.

- The minimum recommended hole depth is 1/3 the pole length. The pole is 1/3 in the ground, 2/3 above the ground.

**Example:** 5’ below grade, 10’ above grade, total of a 15’ pole.

- Center the pipe in the hole. Check the pole for plumb vertical on all sides using a plumb line or a level.
- Fill the hole with concrete (3000-psi minimum strength), and check the pole for plumb.
- The pole may be filled with concrete for added strength (only to approximate ground level).
- Allow concrete and pole to set for a minimum of 36 hours **before** installing the Track Rack™.

Description	Universal UTR-020	K-series UTRK-040	F-Series UTRF064	F-Series UTRF090	F-Series UTRF120	F-Series UTRF168
Minimum Schedule 40 Steel Pipe	2.5” (3” OD)	3” (3- 1/2” OD)	6” (6 -5/8” OD)	6” (6 -5/8” OD)	6” (6 -5/8” OD)	8” (8 -5/8” OD)
Min. Pole Height	76”	84”	96”	108”	120”	144”
Min. Pole Depth	38”	42”	48”	54”	60”	72”
Ground Clearance at 45° Tilt N/S & E/W	31”	23”	26”	21”	24”	33”
Minimum recommended hole diameter	18” Ø Pipe set in concrete	18” Ø Pipe set in concrete	24” Ø Pipe set in concrete	24” Ø Pipe set in concrete	24” Ø Pipe set in concrete	30” Ø Pipe set in concrete
Rack Dimensions (up to but NOT to exceed Sq. Ft.)	67” EW / 44” NS 20 Sq. Ft. of Module Area	124” EW / 48” NS 40 Sq. Ft. of Module Area	124” EW / 80” NS 64 Sq. Ft. of Module Area	146” EW / 128” NS 90 Sq. Ft. of Module Area	146” EW / 150” NS 120 Sq. Ft. of Module Area	169” EW / 192” NS 168 Sq. Ft. of Module Area



POLE INSTALLATION DETAIL

**Important note:**  
 ► ZOMEWORKS CORP. assumes no liability for the structural integrity of the pole and its installation. Soil and wind conditions vary. If there is any doubt, consult with a local Structural Engineer.  
 ► If your installation requires an engineer's stamp, contact your engineer **before** setting the pole.